

HFCT 48 PD Sensor High Frequency Current Transformer

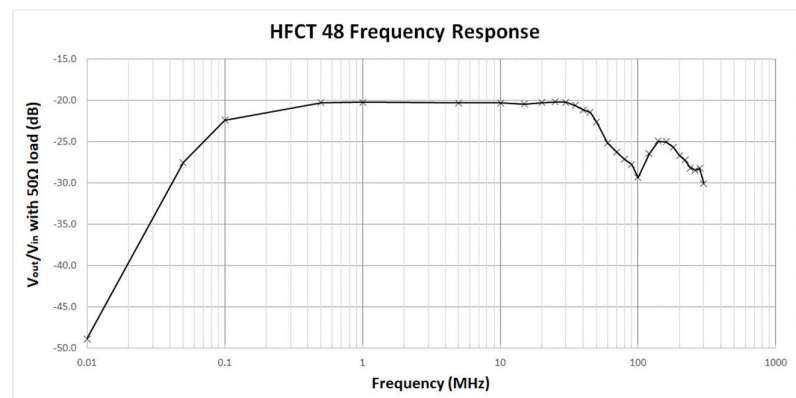
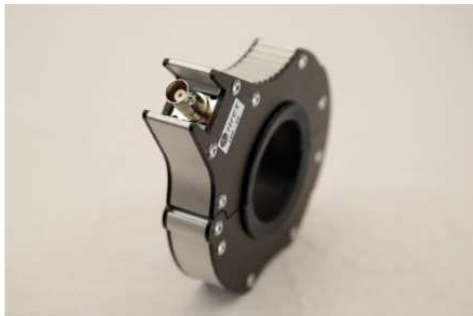


HFCT 48 PD Sensor is a high frequency transducer designed specifically for picking up partial discharge signals.

Partial discharge activity in solid high voltage insulation induces small high frequency currents in the earth conductor of the electrical system. These impulses travel along the equipment earth to the substation earth. Using a high frequency current transformer, they can be detected as they pass through the CT.

The HFCT48 has a split core ferrite to allow retrospective fitting to earth straps without the need for disconnection. The durable body has a hinge and a quick release latch making use quick and easy. The CT is constructed with an aluminum body to provide RF shielding and improved performance in noisy environments.

This transducer is ideal for all core, earth and neutral PD monitoring applications.



Technical Specification

HFCT 48 PD Sensor

HFCT Sensor

Transfer Function	4.8 V/A
Frequency Response	60kHz – 70MHz
Rec. Load Impedence	50Ω

Dimensions

Internal Diameter	48 mm
External Diameter	107 mm
Weight	0.46 kg

Hardware

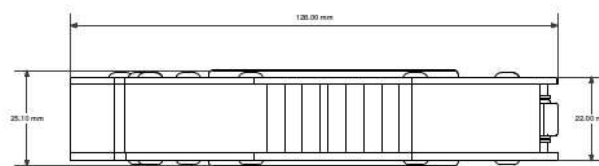
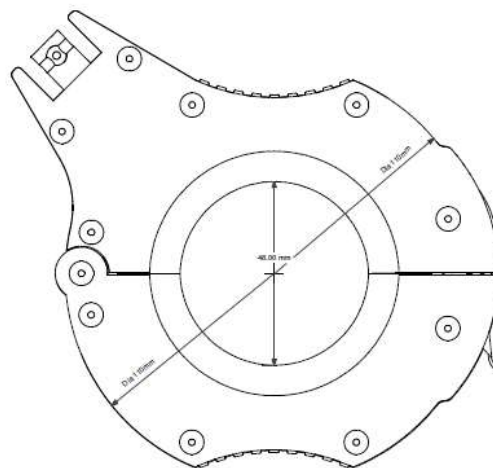
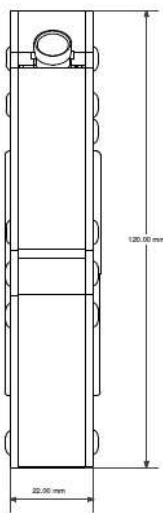
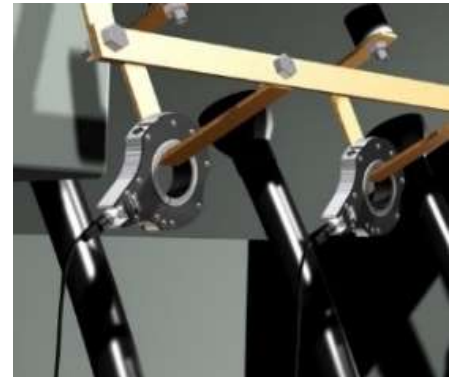
Coupling	Quick Release Clip
----------	--------------------

Connector

Connector	BNC Female
-----------	------------

Designed and manufactured in the United Kingdom

www.ipec.co.uk



sales@ipec.co.uk