

HFCT 100 PD Sensor High Frequency Current Transformer

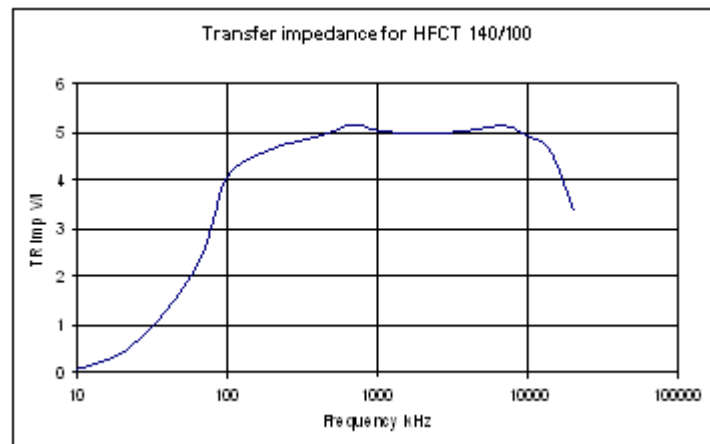


HFCT 100 PD Sensor is a high frequency current transformer specifically designed for the passive detection of PD in HV and EHV cable circuits.

Partial Discharge activity in solid high voltage insulation induces small high frequency currents in the earth conductor of the electrical system. These impulses travel along the equipment earth to the substation earth. Using a high frequency current transformer, they can be detected as they pass through the CT.

The HFCT100 has a split core ferrite to allow retrospective fitting to earth straps without the need for disconnection. Its larger internal diameter makes it ideal for HV and EHV applications. The durable body has a hinge and a quick release latch making use quick and easy. The CT is constructed with an aluminium body to provide RF shielding and improved performance in noisy environments.

This transducer is ideal for all earth and neutral PD monitoring applications.



Technical Specification

HFCT 100 PD Sensor

HFCT Sensor

Transfer Function	4.5-5.0 V/A
Frequency Response	100kHz – 10MHz
Rec. Load Impedence	50Ω

Dimensions

Internal Diameter	97 mm
External Diameter	151 mm
Weight	1.05 kg

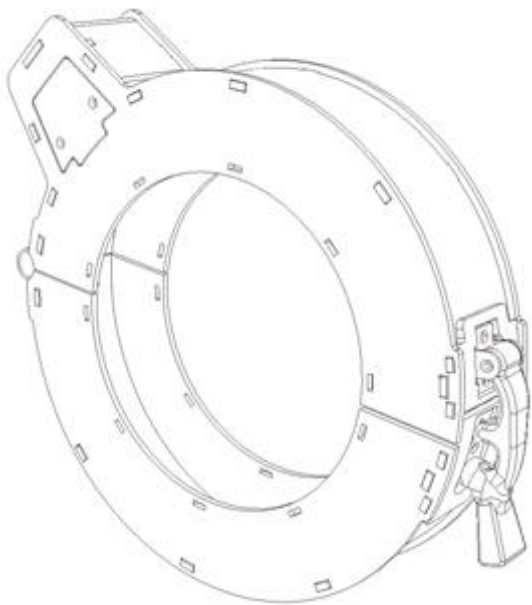
Power

Power	BNC Female
-------	------------

Safety and EMC	CE-compliant in accordance with Low Voltage Directive (2014/35/EU) and EMC Directive (2014/30/EU)
----------------	---

Designed and manufactured in the United Kingdom

www.ipec.co.uk



sales@ipec.co.uk